



LED MR16 Lamp M6DT-03LB

Delta Electronics Inc.

**252 Shang Ying Road, Guishang Industrial Zone,
Taoyuan County, 33341, Taiwan, R.O.C**

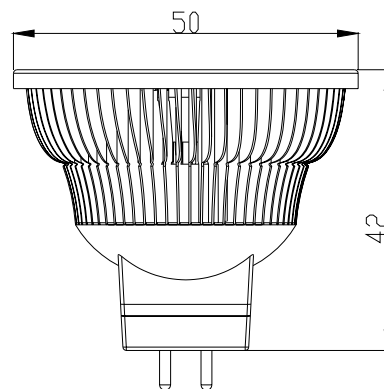
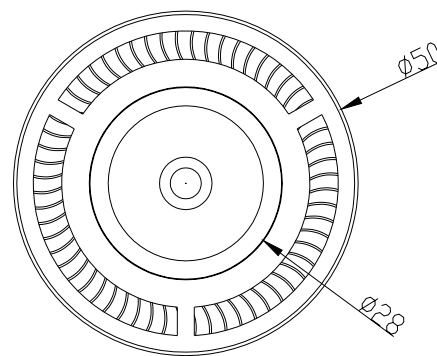
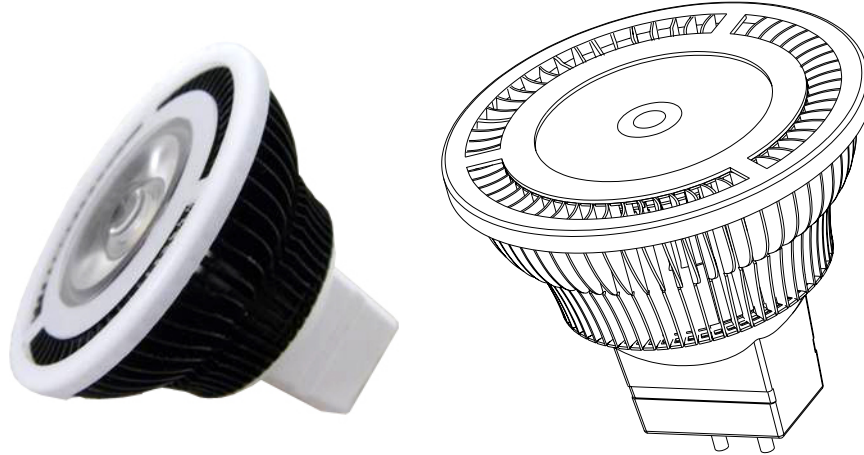
www.deltaww.com.tw

CONTENT

- 1. OUTLOOK**
- 2. APPLICATION**
- 3. FEATURES**
- 4. OPERATION CONDITION**
- 5. SPECIFICATION**
- 6. PHOTOMETRY**
- 7. CERTIFICATE**
- 8. PRODUCT CODE DEFINITION**
- 9. PACKAGING**
- 10. INSTALLATION**
- 11. WARRANTEE**
- 12. ENVIRONMENTAL BENEFIT**
- 13. ECONOMIC BENEFIT**

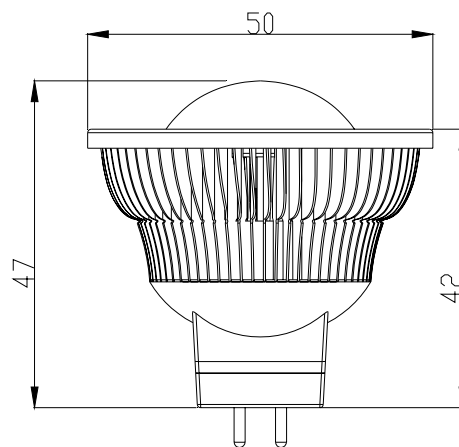
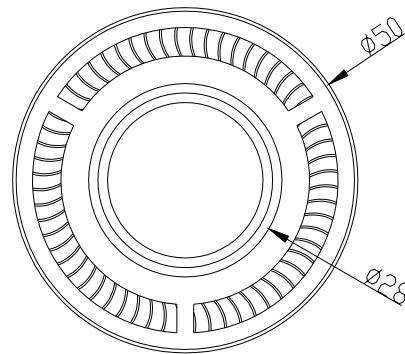
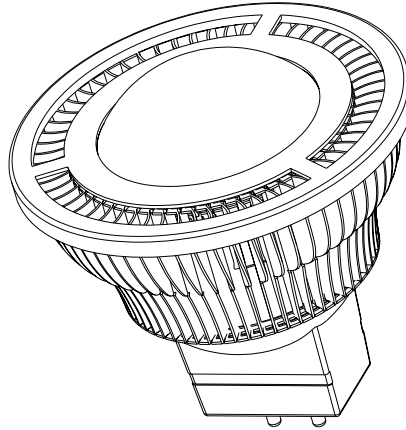
OUTLOOK

45°



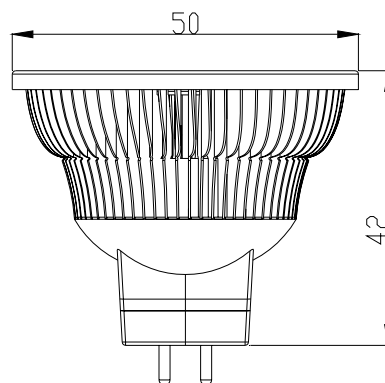
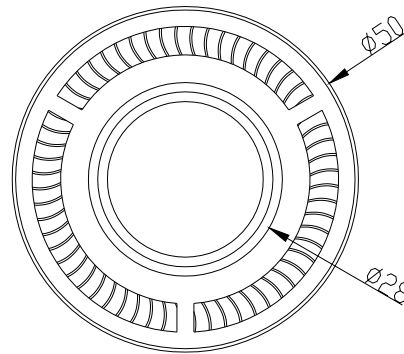
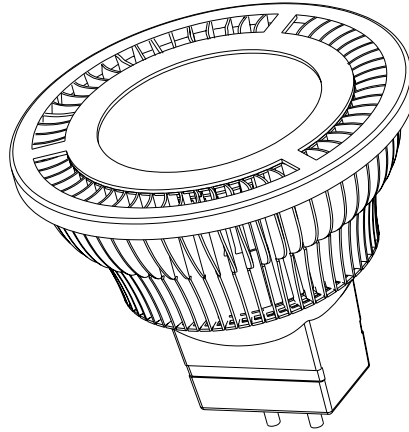
OUTLOOK

80°



OUTLOOK

120°





APPLICATIONS

- Accent/ Spot Lighting
- Store Lighting
- Mood Lighting



FEATURES

- High lumen output
- High efficiency
- GU5.3 base
- RoHS/WEEE Compliant
- Mercury free
- Long life



OPERATION CONDITION

Parameter	Minimum	Maximum
Input Voltage (AC/DC)	10V	13V
Operating Temperature	-20°C	40°C
Storage Temperature	-40°C	85°C



SPECIFICATION

- Optical

Stabilized (after 30 minutes warm-up) Luminous Flux at 25° C	Warm white: 90lm Neutral White: 100lm Cool White: 130lm
Beam Angle	45°/80°/120°
Available Color	Warm White & Neutral White & Cool White (See order information section for more detail)



 Mechanical and Dimension

Dimension	ϕ 50mmX42mm
Weight	45° 25g
	80° 30g
	120° 28g

 Electrical

Input Voltage	12V AC/DC
Stabilized Power Consumption (typical)	3W
Power Factor	0.8@12VAC/DC
Typical Luminous Efficacy	Warm White : 30lm/W Neutral White : 35lm/W Cool White : 40lm/W

**CERTIFICATE**

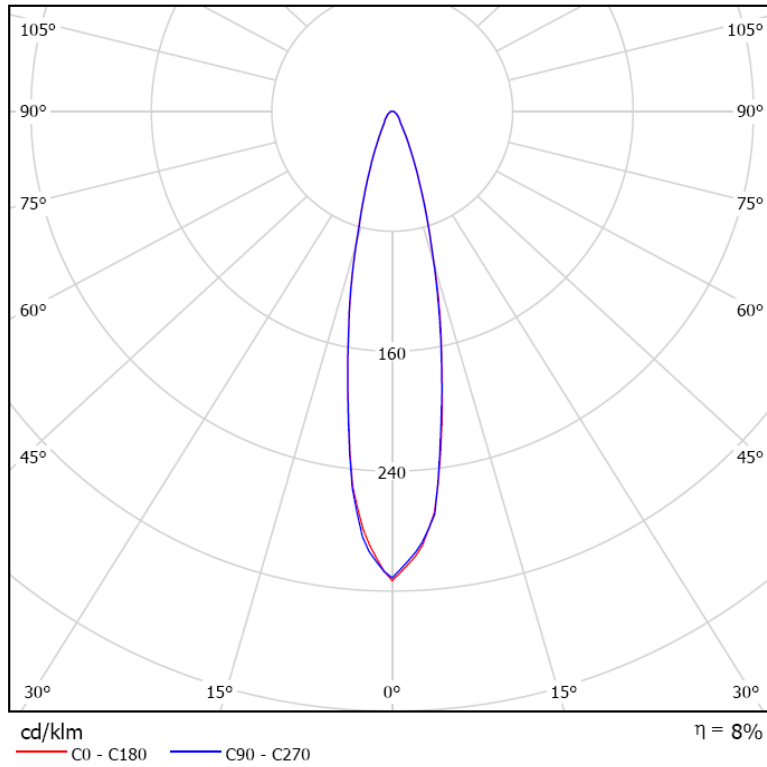
-  This product is in conformity with all provisions of Annex I of Council Directive 2004/108/EC (electromagnetic compatibility) and 2006/95/EC (low voltage directive)
-  This product is also in conformity with waste electrical and electronic equipment directive 2002/96/EC (WEEE)



PHOTOMETRY

➤ Polar intensity distribution of luminaire

45°



➤ Illuminance

Offset [m]	Cone width [m]	Illuminance [lx]
1.0	0.89	260.7
2.0	1.78	65.2
3.0	2.67	29.0
4.0	3.56	16.3
5.0	4.45	10.4

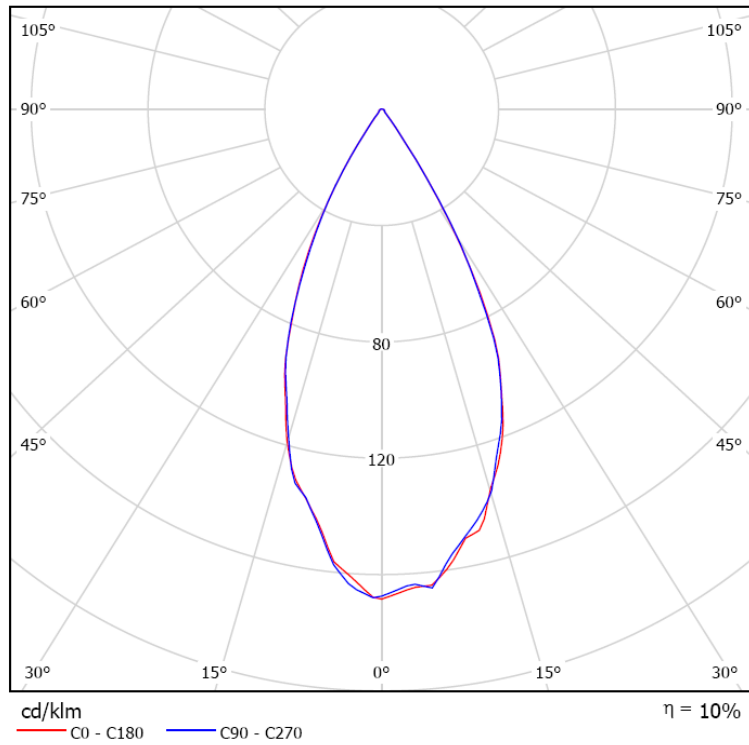
C0-C180 Plane



PHOTOMETRY

🔧 Polar intensity distribution of luminaire

80°



🔧 Illuminance

Offset [m]	Cone width [m]	Illuminance [lx]
1.0	1.84	140.5
2.0	3.68	35.1
3.0	5.52	15.6
4.0	7.36	8.8
5.0	9.20	5.6

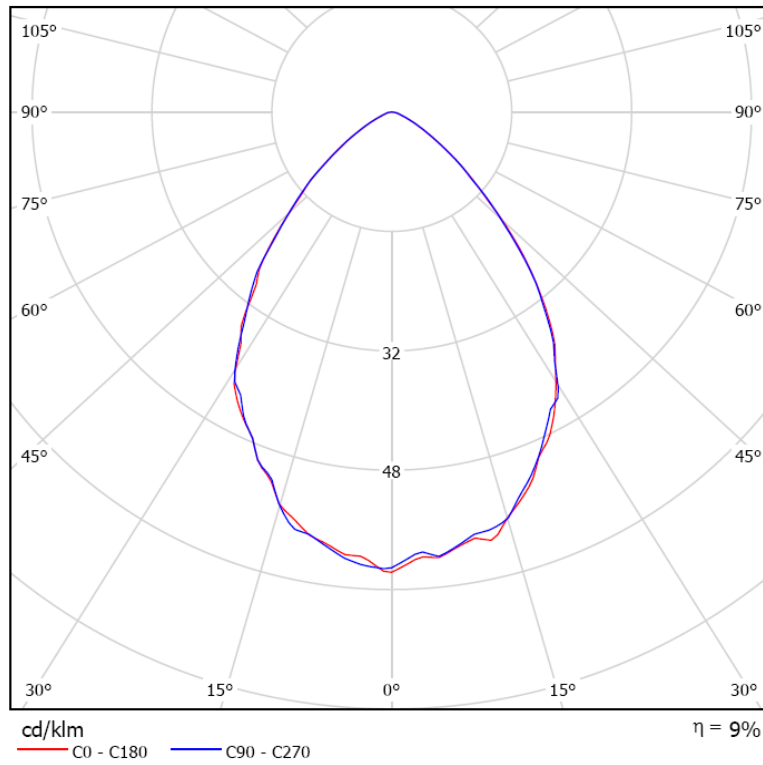
C0-C180 Plane



PHOTOMETRY

Polar intensity distribution of luminaire

120°



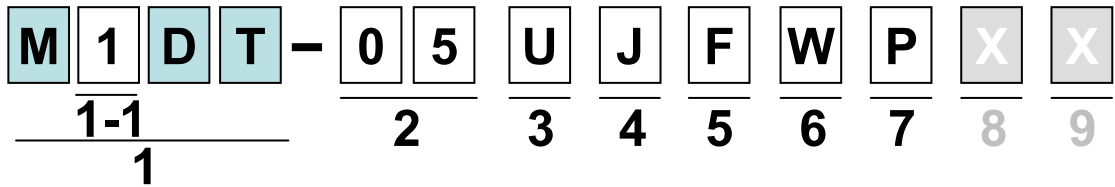
Illuminance

Offset [m]	Cone width [m]	Illuminance [lx]
1.0	3.54	52.0
2.0	7.07	13.0
3.0	10.61	5.8
4.0	14.15	3.2
5.0	17.69	2.1

C0-C180 Plane



PRODUCT CODE DEFINITION



1.SERIES CODE

M1DT : MP/AR Lighting

1-1 TYPE

- 1 : MR 11
- 6 : MR 16
- A : AR 111

2.Input Power

- 05 : 5W
- 10 : 10W
- 15 : 15W

3.Input voltage

- U : 100-240V AC
- E : 200-240V AC
- A : 100-120V AC
- L : 12/24V AC/DC

4. Base Type

- J : E26/25
- A : E26/24
- S : E27/27
- B : Gx5.3
- C : GU10
- D : G53

5.Light Pattern

- F : Flood
- S : Spot (<20°)
- N : Narrow (20-29°)
- M : Medium (30-59°)
- W : Wide (60-80°)

6.COLOR

- W : Warm white
- N : Neutral white
- D : Daylight
- R : Red
- G : Green
- B : Blue

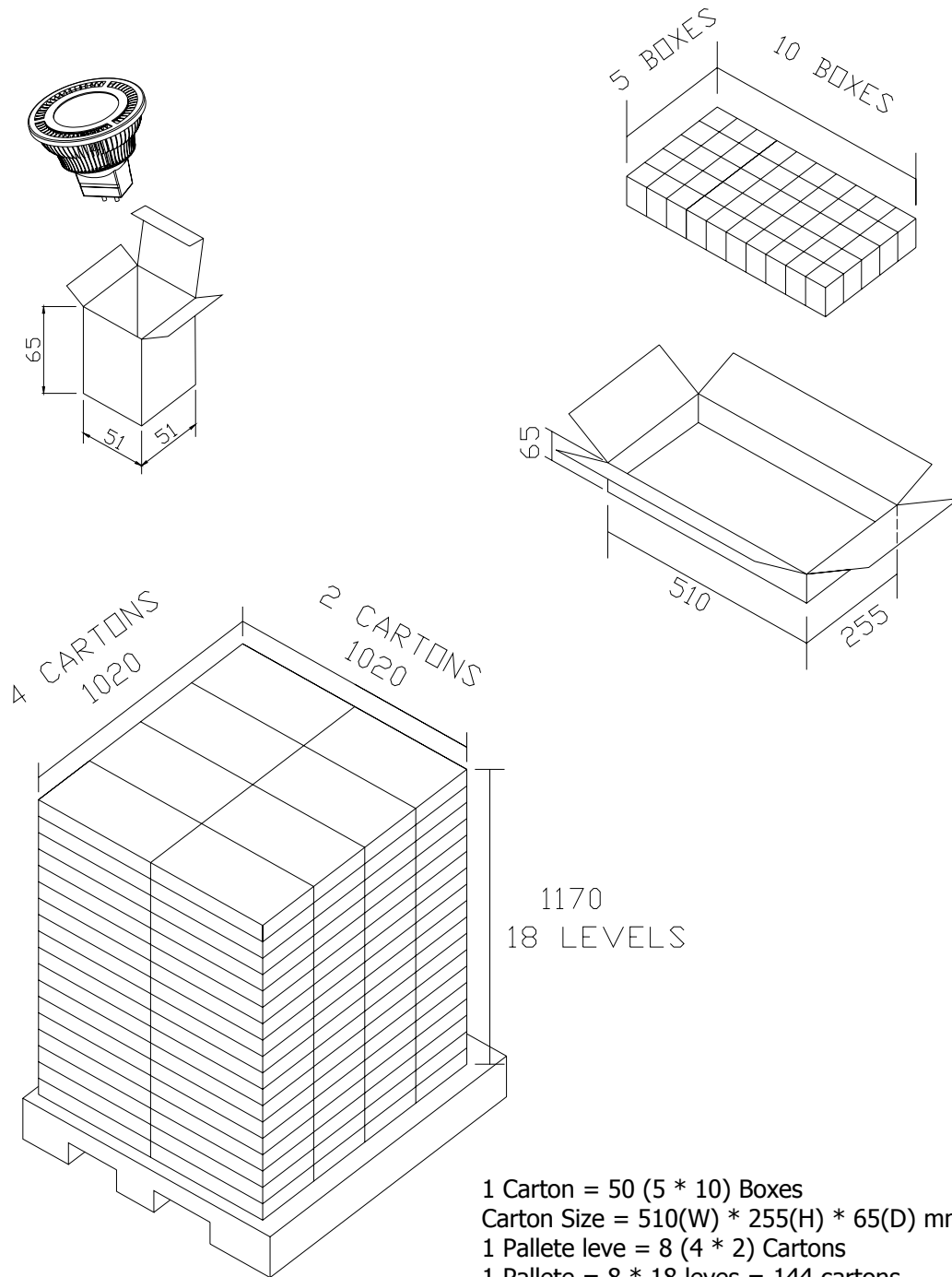
7.Features

- P : Premium (PFC+TRAIC Dimming)
- C : Commercial (only PFC)
- S : Step dimming
- D : TRAIC Dimming
- B : Basic (not dimmable, no PFC)

8.LED supplier

9. Binning

PACKAGE AND PACKAGING DIMENSION





INSTALLATION

- ⚡ This product is designed for indoor use only, not suitable for damp or wet locations
- ⚡ This product cannot be used with dimmers.
- ⚡ Install this product in a fully enclosed fixtures may shorten lamp life due to heat buildup.



WARRANTY

- ⚡ 3 years of the entire system (power, driver, LED light module) with no mechanical damage under normal operation condition.
- ⚡ LED lumen degradation within 20% in 3 years (reference TW environment only).



ENVIRONMENTAL BENEFIT

- ⚡ This product provides the same illuminance as a typical 20W MR16 Lamp, which saves ~80% of the electricity cost and reduces 11.7g/hour CO2 emission.
- ⚡ Delta Group is the world's largest provider of switching power supplies and brushless fans, as well as a major source for power management solutions, components, visual displays, industrial automation, networking products, and renewable energy solutions. Established in 1971, Delta Group has sales offices worldwide and manufacturing plants in Taiwan, Thailand, China, Mexico and Europe. As a global leader in power electronics, Delta's mission is "To provide innovative energy-saving products for a better quality of life." Delta is committed to environmental protection and has implemented green, lead-free production and recycling and waste management programs for many years. DELTA's LED lamp is compliant to the European Union directives on the restriction of hazardous substances in electronic equipment, namely the RoHS directive. Besides, DELTA's LED lamp is also compliant to the European Waste Electrical and Electronic Equipment Directive (WEEE). WEEE encourages the collection, treatment, recycling and recovery of waste electrical and electronic equipment.



ECONOMIC BENEFIT

Energy Comparison		20W	3W
		MR16	M6DT-03LBWNB
Specification			
Total Lumens (lm)		159	98
Power Consumption (W)		19.12	3.2
CRI		99	88
lm/W		8.32	30.625
Energy Saving			
Power (kW)		0.01912	0.0032
%		100%	17%
Power Consumption Per Year	kWh, 12hr/day light on	84	14
Power Saving Per Year (kWh)			70
Money Saving Per Year (USD)	\$0.15/kWh		10
3-Year Saving (USD)			31
3-Year Maintain Fee			0
3-Year Total Money Saving (USD)			31
3-Year Total CO2 Emission Saving (Kg)	0.736Kg CO2/kWh		154

End of Specification

2009.02.19